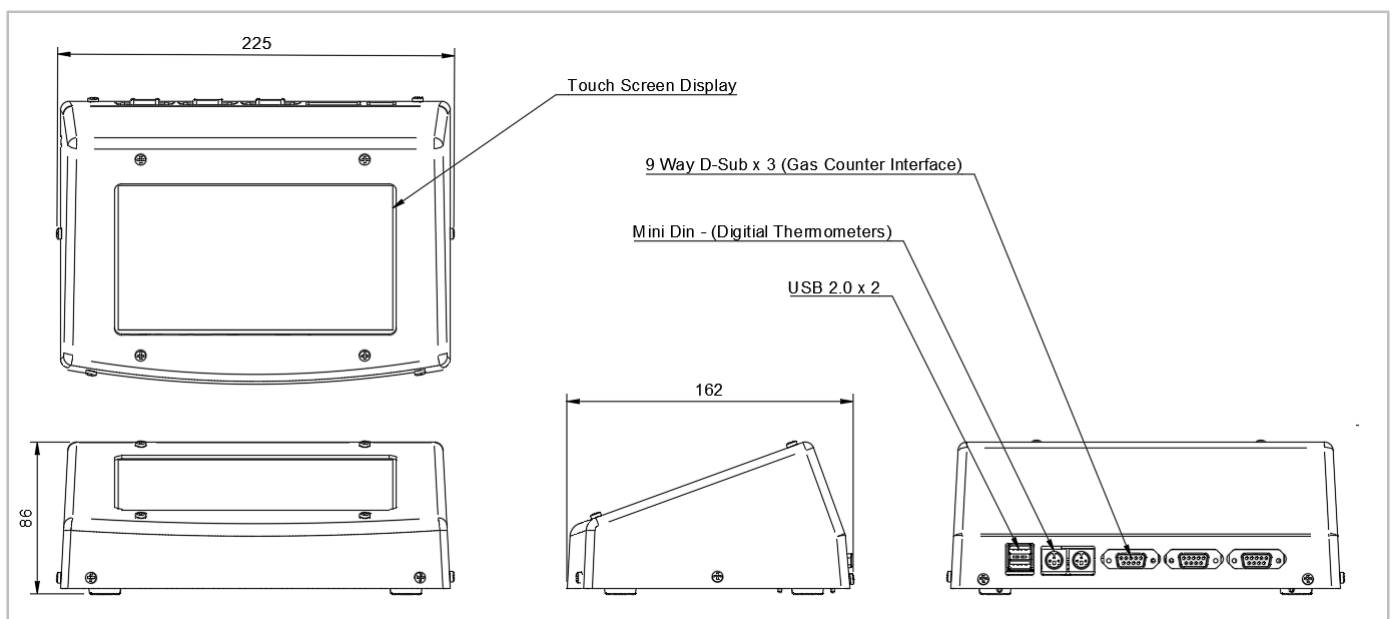


The CJC Labs Data Acquisition System uses a custom software package and is controlled through a touch screen. It allows you to set up and record gas flow measurements, and converts the data to standard temperature and pressure in real time.

Data is stored internally and is downloadable onto USB or more conveniently can be sent by email on demand or scheduled daily. Each BMP set connected can be started and stopped independently allowing multiple users. Graphic display of the data for rapid visualisation of the progress of the test.

Real time clock adjustable for different time zones. Supplied with an uninterruptable power supply with up to 8 hours mains down time .

- 5V DC
- 1.2 GHZ Quad-Core ARM Cortex A53 Processor
- 1 GB LPDDR2-900 SDRAM
- 802.11n Wireless LAN & Bluetooth 4.0
- USB 2.0 x 2
- D-Sub – Gas Counter Ports x 3 (up to 20 counters)
- Barometric Pressure Sensor
- External Thermometer Probes x 2



NB: Specifications subject to change. For availability please contact by telephone or email.

T : +44 (0) 7932 318849 | E: [info@cjc-labs.com](mailto:info@cjc-labs.com)