

The CJC Labs Gas Counter Mini offers a convenient and compact way of measuring low volume gas flows where establishing a kinetic is not required.

No power supply is needed as the unit is powered by an internal lithium ion cell which gives around 3 years of use before replacement is necessary. Can be used individually or made up into banks of 2, 3 and 4 units using the stainless steel base plate.

Includes all of the design features of the CJC registered design gasometer and is ideal for carrying out residual biogas potential (RBP) determinations in conjunction with static reactors.

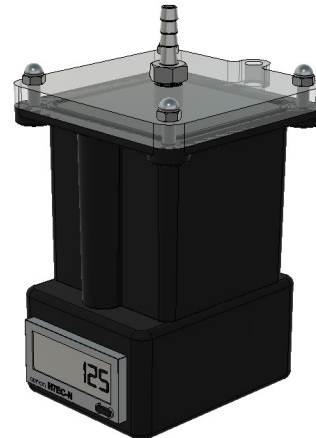
- Uses an industry standard Omron H7EC-N Counter
- CJC Labs designed tipping bucket gasometer
- Option for 2, 3 or 4 Linked via Base Kits:

CJC-058 – Single

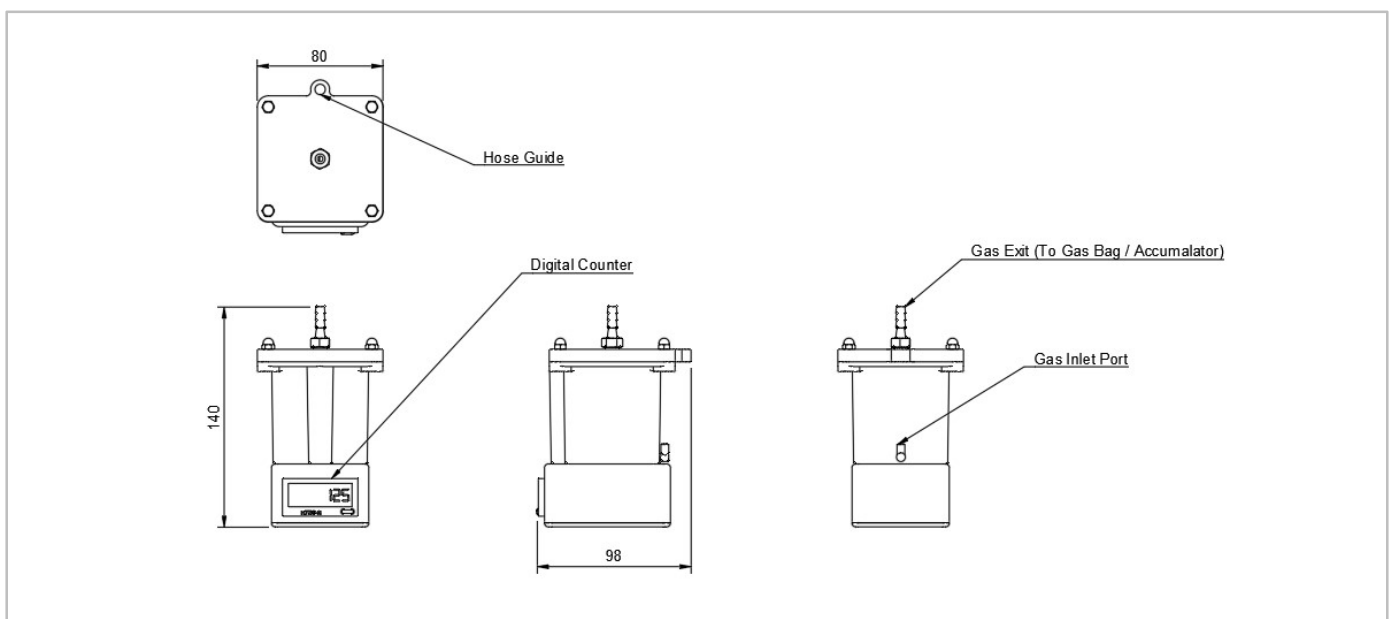
CJC-072 – x2 (inc Base Kit)

CJC-073 – x3 (inc Base Kit)

CJC-074 – x4 (inc Base Kit)



x3 with Base Kit



NB: Specifications subject to change. For availability please contact by telephone or email.

T : +44 (0) 7932 318849 | E: [info@cjc-labs.com](mailto:info@cjc-labs.com)