

The CJC Labs Gas Counter Midi offers a convenient and compact way of measuring medium / high volume gas flows where continuous runs are needed and the ability to zero the counter at intervals (e.g. between bio-reactor feeds) is a useful feature

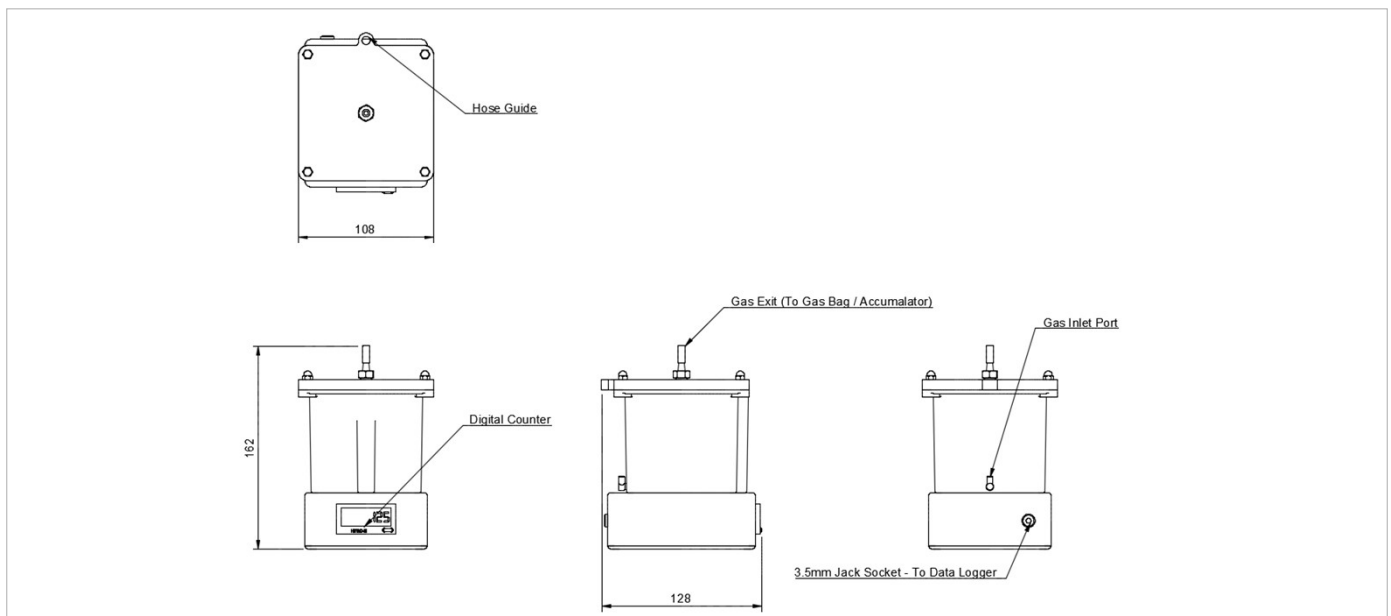
No power supply is needed as the unit is powered by an internal lithium ion cell which gives around 3 years of use before replacement is necessary. Can be used individually or made up into banks of 2 units using the stainless steel base plate.

Includes all of the design features of the CJC registered design gasometer and is ideal for using in conjunction with 5L semi continuous fed digesters and can be linked to the CJC labs Data Acquisition System through a data output port on the rear of the case

- Uses an industry standard Omron H7EC-N Counter
- Integrated 3.5mm Output Jack for Connection to external Data Logger
- CJC Labs designed tipping bucket gasometer
- Option for 2 Linked via Base Kit:

CJC-125 – Single  
CJC-126 – x2 (inc Base Kit)

x2 with Base Kit



NB: Specifications subject to change. For availability please contact by telephone or email.

T : +44 (0) 7932 318849 | E: info@cjc-labs.com